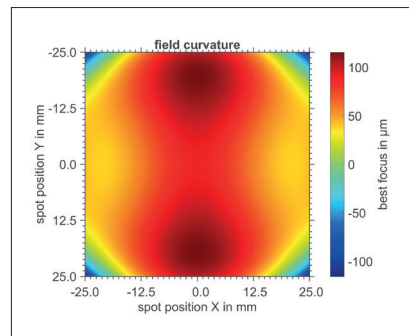
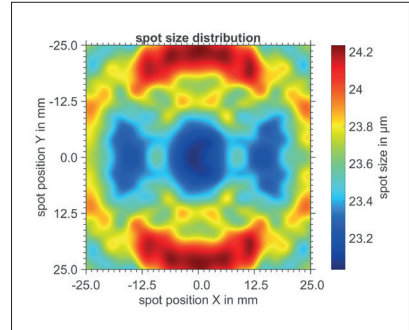


F-Theta JENar™ Silverline™ Lens
 High Power Lens – JENar™ 161-1030...1080-71

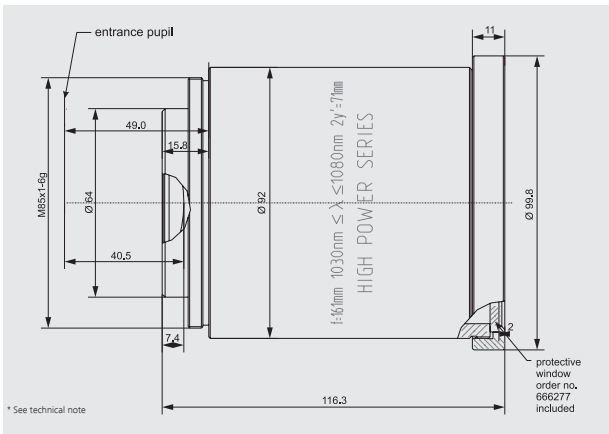


| Parameters | JENar™ 161-1030...1080-71 Fused silica lens for Ultrashort pulse |
|---|---|
| Focal length: | 161 mm |
| Wavelength: | 1030...1080 nm |
| Scan field (X x Y); Ø: | (50 mm x 50 mm); 71 mm |
| Diagonal scan angle: | ± 12.7° |
| X/Y mirror angle: | ± 4.5° |
| Back working distance: | 153.5 mm |
| Flange focus distance: | 254.5 mm |
| Input beam Ø 1/e ² : | 14 mm |
| Focus size Ø 1/e ² : | 23 µm |
| a1 a2: | 17 mm 40.5 mm |
| Telecentricity (only F-Theta with scanner): | 4.1° 4.2° |
| Absorption: | fused silica: < 15 ppm/cm coating: < 5 ppm (mean = 3 ppm) |
| Group delay dispersion (GDD)*: | 583 fs ² |
| LIDT coating pulsed; CW*: | 5.0 J/cm ² * (τ/[ns]) ^ 0.35; 5 MW/cm ² |
| LIDT system pulsed; CW*: | 5.0 J/cm ² * (τ/[ns]) ^ 0.35; 5 MW/cm ² |
| Weight: | 0.917 kg |
| Order Number: | 660149 |

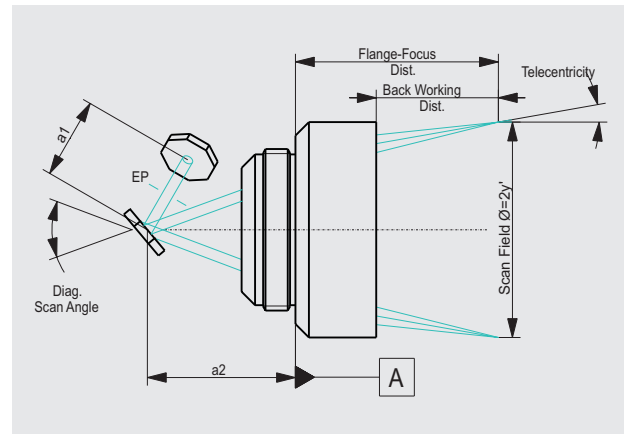
Spot properties



Specifications
 JENar™ 161-1030...1080-71



Definition of geometrical parameters



JENar®: Registered in EU, CN, JP, SG, US | Silverline®: Registered in DE, JP, SG, IN

The data given are nominal values for the specified application parameters. Jenoptik provides Zemax® BlackBox files for simulating application results for customized parameters (e.g. wavelength, scanner geometry, beam diameter, ...).
 Back working distance, Flange focus distance, and focal length vary by ± 1.5 % due to manufacturing variances.

It is our policy to constantly improve the design and specifications. Accordingly, the details represented herein cannot be regarded as final and binding.