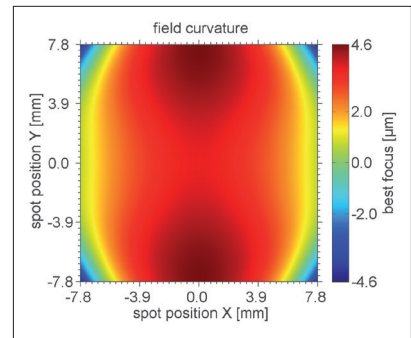
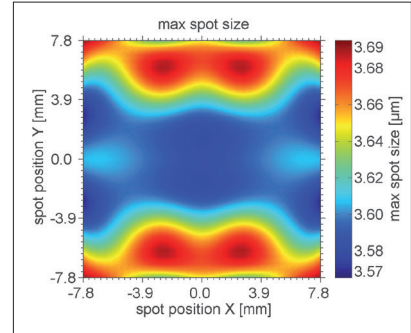
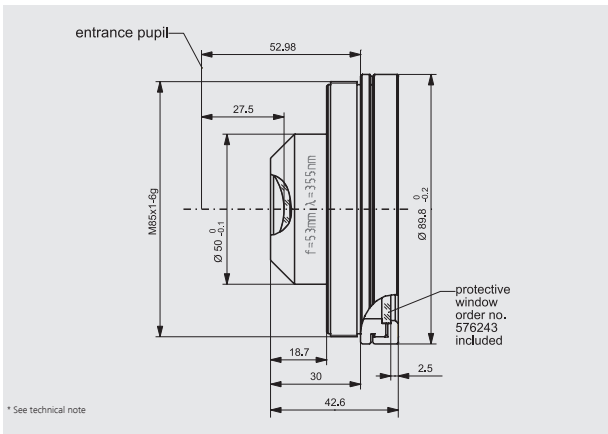


Parameters	JENar™ 53-355-24 Telecentric lens with short focal length
Focal length:	53 mm
Wavelength:	355 nm
Scan field ( X x Y ); Ø:	(17 mm x 17 mm); 24 mm
Diagonal scan angle:	24.2°
Back working distance:	64.9 mm
Flange focus distance:	77.48 mm
Input beam Ø 1/e <sup>2</sup> :	10 mm
Focus size Ø 1/e <sup>2</sup> :	3.5 µm
a1:	13 mm
a2:	46.48 mm
Telecentricity (only F-Theta   with scanner):	0.4°   1.5°
Group delay dispersion (GDD)*:	10800 fs <sup>2</sup>
LIDT coating pulsed; CW*:	1.0 J/cm <sup>2</sup> * (τ/[ns]) ^ 0.40; 1.0 MW/cm <sup>2</sup>
LIDT system pulsed; CW*:	1.0 J/cm <sup>2</sup> * (τ/[ns]) ^ 0.40; 1.0 MW/cm <sup>2</sup>
Weight:	0.7 kg
Order Number::	017700-401-26

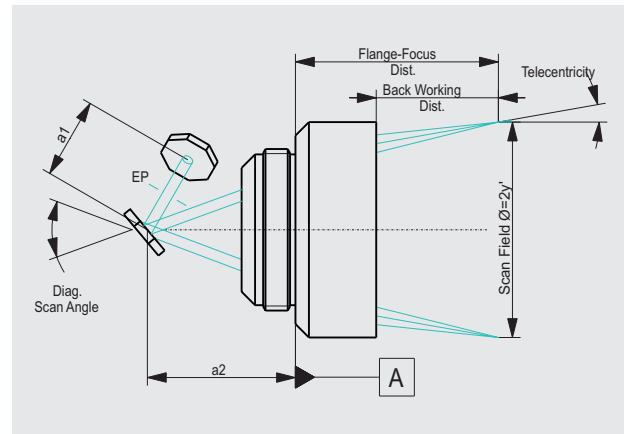
Spot properties



Specifications  
JENar™ 53-355-24



Definition of geometrical parameters



JENar®: Registered in EU, CN, JP, SG, US | F-Theta: Registered Design in EU, CN, KR, JP, SG, IN, HK, TW

The data given are nominal values for the specified application parameters. Jenoptik provides Zemax® BlackBox files for simulating application results for customized parameters (e.g. wavelength, scanner geometry, beam diameter, ...).  
Back working distance, Flange focus distance, and focal length vary by ± 1.5 % due to manufacturing variances.

It is our policy to constantly improve the design and specifications. Accordingly, the details represented herein cannot be regarded as final and binding.