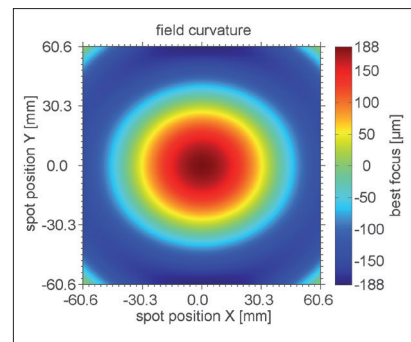
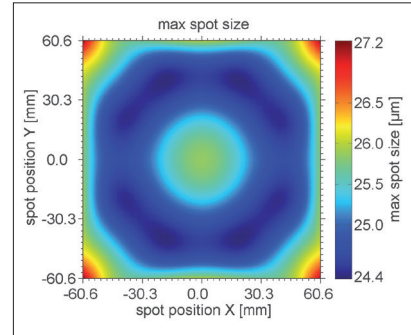
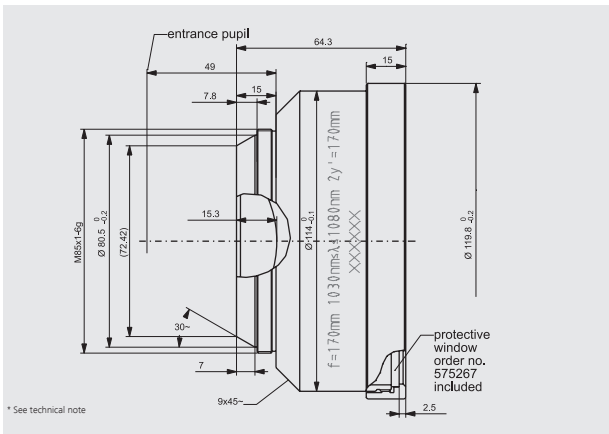


Parameters	JENar™ 170-1030...1080-170 F-Theta lens for high image quality
Focal length:	170 mm
Wavelength:	1030...1080 nm
Scan field (X x Y); Ø:	(120 mm x 120 mm); 170 mm
Diagonal scan angle:	57.4°
Back working distance:	194 mm
Flange focus distance:	243.2 mm
Input beam Ø 1/e ² :	14 mm
Focus size Ø 1/e ² :	24 µm
a1:	17 mm
a2:	40.5 mm
Telecentricity (only F-Theta with scanner):	11.6° 11.7°
Group delay dispersion (GDD)*:	1870 fs ²
LIDT coating pulsed; CW*:	5.0 J/cm ² * (τ/[ns]) ^ 0.30; 5.0 MW/cm ²
LIDT system pulsed; CW*:	5.0 J/cm ² * (τ/[ns]) ^ 0.30; 5.0 MW/cm ²
Weight:	1.232 kg
Order Number::	017700-018-26

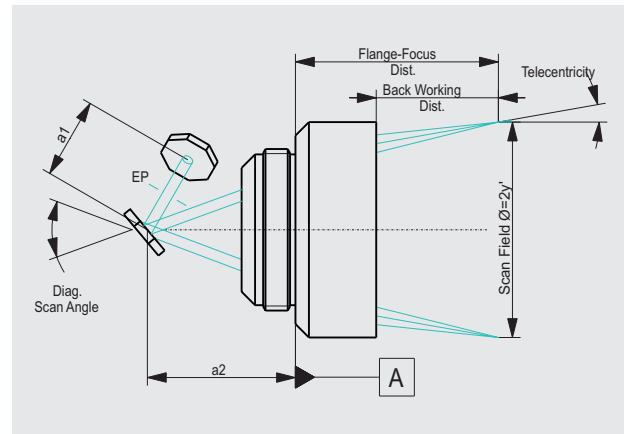
Spot properties



Specifications
 JENar™ 170-1030...1080-170



Definition of geometrical parameters



JENar®: Registered in EU, CN, JP, SG, US | F-Theta: Registered Design in EU, CN, KR, JP, SG, IN, HK, TW

The data given are nominal values for the specified application parameters. Jenoptik provides Zemax® BlackBox files for simulating application results for customized parameters (e.g. wavelength, scanner geometry, beam diameter, ...).
 Back working distance, Flange focus distance, and focal length vary by ± 1.5 % due to manufacturing variances.

It is our policy to constantly improve the design and specifications. Accordingly, the details represented herein cannot be regarded as final and binding.