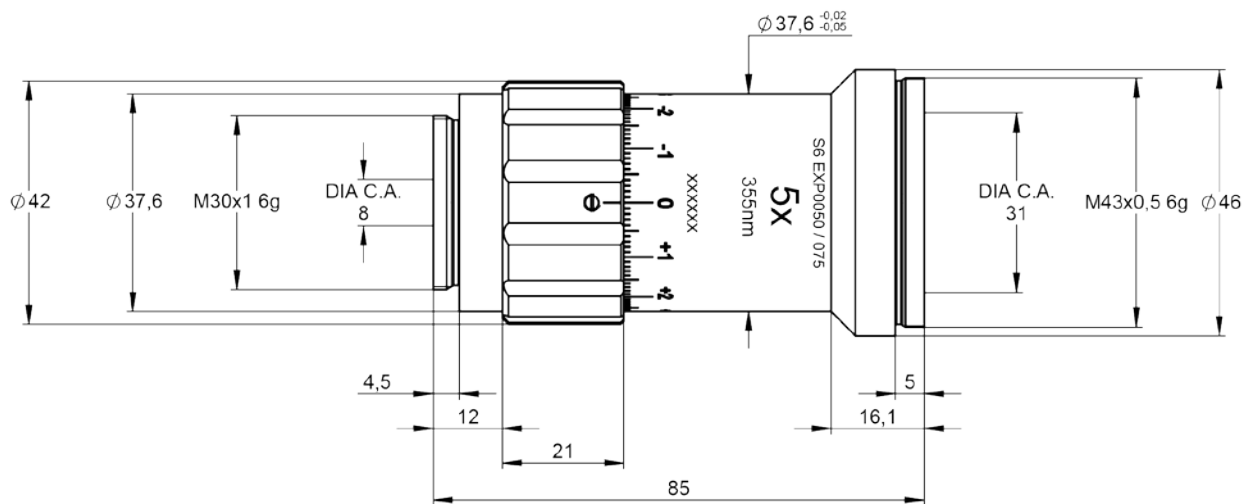


DATA SHEET



S6EXP0050/075 Beamexpander

- magnification 5.0 x
- for 355 nm
- fused silica
- standard coating



outline drawing

DATA SHEET



specifications

| | |
|-------------------------------------|--|
| article number | S6EXP0050/075 |
| design wavelength [nm] | 355 |
| magnification factor | 5.0 x |
| divergence adjustable | ✓ |
| optical principle | Galilei (no internal focus) |
| mounting thread | M30x1 |
| pointing stability [mrad] | < 1 |
| clear input aperture [mm] | 8.0 |
| clear output aperture [mm] | 31.0 |
| max. input beam diameter [mm] | 5.5 |
| wavefront error ¹⁾ | < $\lambda/10$ for $1/e^2$ diameter ²⁾ of 4.0 |
| total number of lenses | 3 |
| total transmission [%] | 98 |
| lens material | fused silica |
| LIDT (coating) [J/cm ²] | 1.0 (1ns pulse at 50Hz) |
| no internal ghosts [✓/✗] | ✓ |
| no internal ghosts, reversed usage | ✗ |
| weight [kg] | 0.20 |
| accessory | S6MEC0107 - adapter M30x1 to C-mount |

notes

- 1) Wavefront error peak to valley on axis proved by design
2) beam diameter vignetted at $1/e^2$

Data given by design

LIDT = Laser Induced Damage Threshold, valid for the coating at design wavelength and gaussian intensity profil