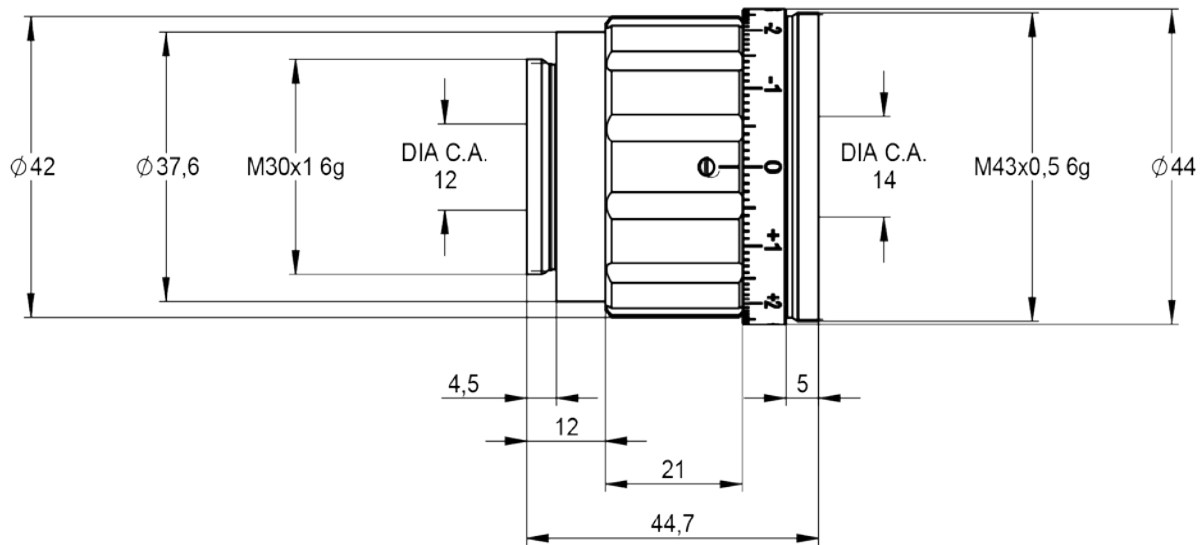


S6EXK0010/292 Beamexpander

- magnification 1.0x
- for 515 nm - 545 nm
- fused silica
- low absorption coating



DATA SHEET



specifications

article number	S6EXK0010/292
design wavelength [nm]	532
magnification factor	1.0x
divergence adjustable	✓
optical principle	Galilei (no internal focus)
mounting thread	M30x1
pointing stability [mrad]	< 1
clear input aperture [mm]	12.0
clear output aperture [mm]	14.0
max. input beam diameter [mm]	10.0
wavefront error ¹⁾	< $\lambda/10$ for $1/e^2$ diameter ²⁾ of 10.0
total number of lenses	3
total transmission [%]	98
lens material	fused silica
LIDT (coating) [J/cm ²]	2.5 (1ns pulse at 50Hz)
no internal ghosts [✓/✗]	✓
no internal ghosts, reversed usage	✓
weight [kg]	0.30
accessory	S6MEC0107 - adapter M30x1 to C-mount

notes

1) Wavefront error peak to valley on axis proved by design

2) beam diameter vignetted at $1/e^2$

Data given by design

LIDT = Laser Induced Damage Threshold, valid for the coating at design wavelength and gaussian intensity profil

length at divergence setting „0“. Max. lengthening of 3 mm is possible